

Deck Receptor Drain

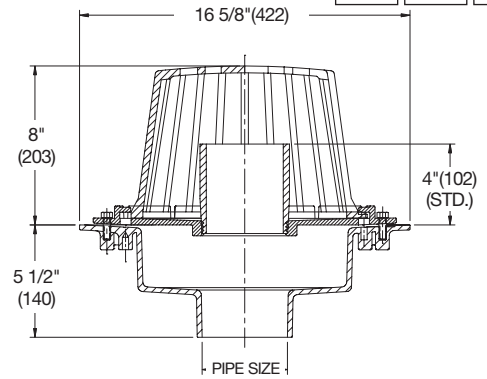
RD-300-W Overflow Roof Drain with 2" Internal Standpipe



Model Number	Outlet Size	WT., Lbs.	List Price
RD-302, 3, 4-W	2,3,4,"	37	\$1,130.00
RD-305, 6-W	5, 6"	37	1,432.50
RD-308, 10-W	8, 10"	37	1,735.00

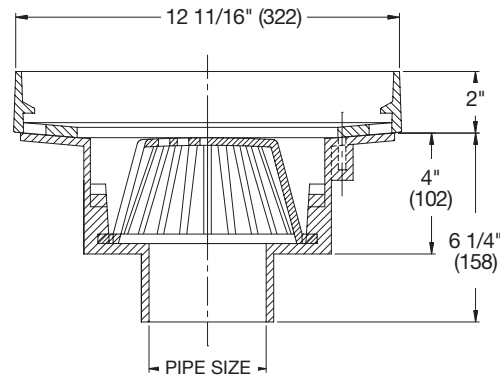


Options for RD-300 Series:
 (For Options see page 114.)



RD-400 12" Diameter Deck Receptor Drain

Model Number	Outlet Size	WT., Lbs.	List Price
RD-402, 3, 4, 5, 6"	2,3,4,5,6"	28	\$720.00

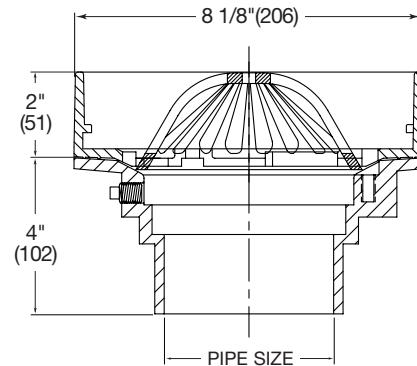


Options for RD-400 Series:

Suffix	Description	List Price	Suffix	Description	List Price
None	No Hub	No Add	-B	Sump Receiver	268.50
-P	Push-On Outlet	No Add	-D	Underdeck Clamp	240.50
-T	Threaded Outlet	\$80.00	-F	Deck Flange/Adj. Extension	659.50
-X	Inside Caulk Outlet	No Add	-L	Vandal Proof Dome	123.50
-13	Galvanized	392.50			

RD-410 8" Diameter Deck Receptor Drain

Model Number	Outlet Size	WT., Lbs.	List Price
RD-412,3,4	2,3,4"	15	\$591.50



Options for RD-410 Series:

Suffix	Description	List Price	Suffix	Description	List Price
None	No Hub	No Add	-B	Sump Receiver	\$256.00
P	Push-On Outlet	No Add	-D	Underdeck Clamp	149.00
T	Threaded Outlet	\$80.00	-F	Deck Flange/Adj. Extension	500.00
X	Inside Caulk Outlet	No Add	-L	Vandal Proof	114.00
-13	Galvanized Body & Flashing Clamp	196.50	-SO	Side Outlet	218.00

Consult factory for all applications outside of listed parameters.

Prices do not include applicable taxes.

